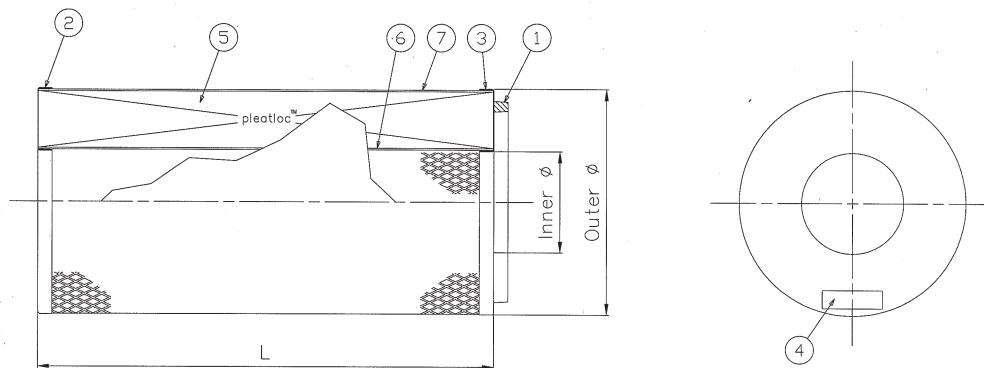


Replacement Elements Cartridges

Series 200



DIN top flange
2 open covers

SPECIFICATIONS

Number	Description	Symbol	Dimension
1	Gasket		
2	Bottom end cap open		
3	Top end cap		
4	Marking		
5	Media pack		
6	Inner liner		
7	Outer liner		
		L	406 mm
		Inner DIA	90 mm
		Outer DIA	201 mm
Available media qualities:			
- Ultra-Web®			

Replacement Elements Cartridges
